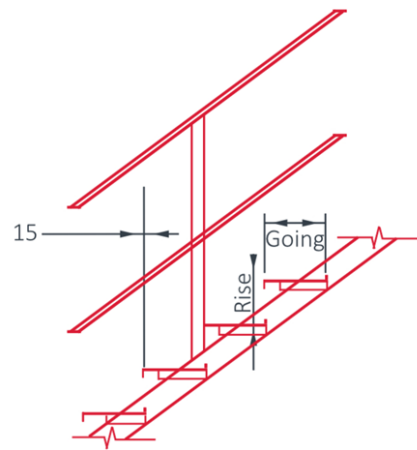
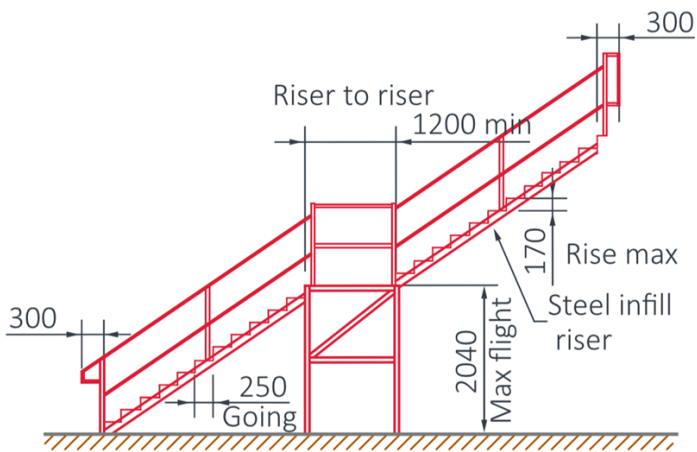


General Access and Utility Staircases

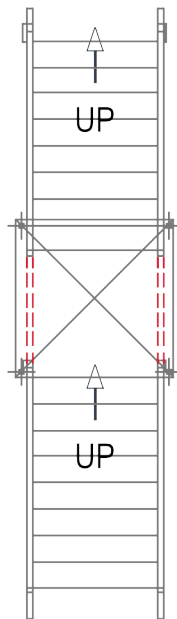
General Access Staircase

Utility Staircase



The Specifications

- ✚ Nosings to be made apparent by colour differentiation: treads = RAL 7024 & Nosings = RAL 1028
- ✚ 60mm clear finger gap to handrail on both sides
- ✚ 100x50x4 RHS Stringers with 1200mm wide steel treads
- ✚ 250mm going, max riser height = 170mm
- ✚ 50x25 RHS hand and knee rail both sides
- ✚ Due to the paint application processes used on stair treads and landing plates, there may be a slight colour variation in the contrasting nosings



The Specifications

- ✚ Nosings to be made apparent by colour differentiation: treads = RAL 7024 & Nosings = RAL 1028
- ✚ 50x50 RHS handrail post, 50x25 RHS handrail and kneerail
- ✚ 40x40 angle support
- ✚ 60mm minimum clear finger gap to handrail on both sides
- ✚ 100x50x4 RHS stringers with 265x3 treads at 800mm wide
- ✚ 250mm going, maximum riser height = 190mm

